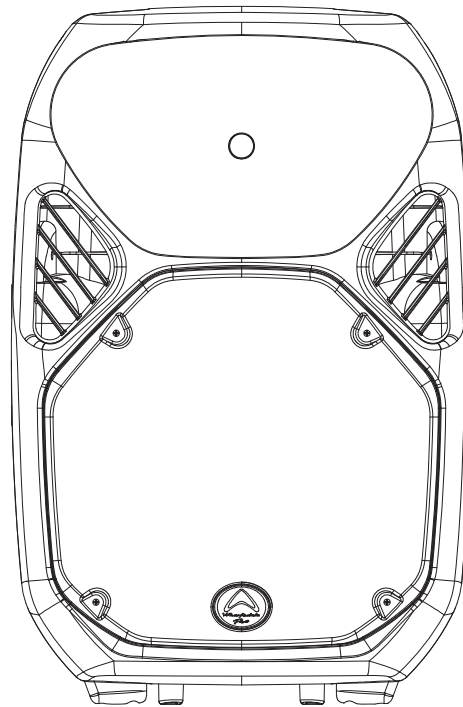
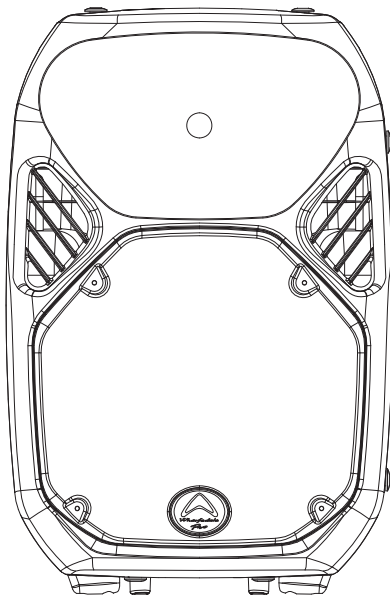


# TITAN-AX SERIES

TITAN-AX12

TITAN-AX15



# WARNING AND SAFETY INSTRUCTIONS

## 1. READ ALL INSTRUCTIONS

Carefully read and become familiar with the features and functions of these products before operating them.

## 2. RETAIN THESE INSTRUCTIONS

For future reference.

## 3. COMPLY WITH ALL WARNINGS

All warnings and instructions for this product should be adhered to.

## 4. USE WITH AMPLIFIERS

In order to avoid damage to drivers and other equipment, it is advisable to establish and follow a routine for powering up and powering down a sound system. With all system components connected, turn on source equipment (mixers, signal processors, record and playback units, etc.) BEFORE powering up amplifiers. Transient voltages from powering up source equipment can damage speakers if amplifiers are already turned on. Make sure that amplifier volumes are set to their minimum settings and power up any system amplifiers LAST. It is recommended that all system components be allowed to stabilise for several seconds before powering down any other system components.

## 5. CABLES

Do not use shielded or microphone cables for connection between amplifiers and speakers. Use only approved speaker cables with proper connectors.

## 6. RIGGING – SUSPENDING – MOUNTING

Rigging, suspending and mounting of these speaker systems can expose members of the public to serious health risks and even death. Under no circumstances attempt to rig, suspend or otherwise mount these speakers unless you are fully qualified and certified to do so by relevant local, state and national authorities. All relevant safety regulations must be followed. If you are not properly qualified or do not know of pertinent regulations, consult qualified personnel for advice.

## 7. CAUTION

These professional loudspeaker systems are capable of generating very high sound pressure levels. Use care with placement and operation to avoid exposure to excessive volume levels. Permanent hearing damage can result when operated to extreme levels.

## 8. SERVICE

There are no user serviceable parts inside the product. Users should not attempt to service this product. Warranty nullification could result if this is attempted.

# INTRODUCTION

The Titan-AX Series fuses affordability and audio fidelity into an exceptionally lightweight polypropylene cabinet. Performance is achieved across multiple applications, from mobile DJs and bands, to corporate events and fixed installation. Built around the best components, including a titanium compression driver and heavy-duty cast-frame woofer, Titan delivers the high level, even dispersion and sonic integrity usually associated with much more expensive speakers.

Our latest generation of Titan-AX features new proprietary driver technology, The HF has been completely reevaluated for both coverage and sound quality ensuring a much smoother sound, especially at high output while the all-new LF driver has improved moisture rejection characteristics which allows Titan-AX to be installed into hostile environments.

Titan-AX raises the bar for portable PA and is built-to last.

# KEY FEATURES

- Class D Bi-amplified
- Large voice coil LF Drivers reject moisture for resistance in all environments
- New IRIS X HF Compression Drivers
- New Proprietary 100° x 80° Hybrid Symmetry Horn design
- New DSP functions
- New tweaked laminar rib structure
- Integral mixer functions
- Tough, yet lightweight Dynamic Polypropylene cabinet with rubber padded handles
- 10 x M8 rigging points and integral 35mm tripod stand adapter
- Rugged protective grille and top-stacking receptacles
- Trapezoid design for arrays as well as stage monitor applications
- Titan Tourbags available
- Available in black or white

# INSTALLATION

Titan-AX Series speakers are both equally suitable for portable use and for rigging / fixed installation. Before attempting to install a Titan-AX loudspeaker system please refer to the important warnings and safety instructions. Only qualified personnel should install a loudspeaker system.

Improper installation of a loudspeaker system can cause serious harm and even death if correct procedure is not followed. Anyone attempting installation assumes all liability arising from such use.

## Titan-AX12/Titan-AX15 REAR PANEL FEATURES

### 1. Heat Sink:

The heat sink allows for dissipation of heat build up from the amplifier via air cooling at the rear of the enclosure.

### 2. VOLUME controls for INPUT A and INPUT B:

These knobs control the level of each input channel.

### 3. DSP setting

### 4. DSP Selection

### 5. 90Hz Monitor Filter switch:

Used to reduce bass buildup when placed on floor or near a wall.

### 6. Horn LED defeat switch:

Switches off the horn power LED for discrete applications.

### 7. GAIN selection switch:

This switch selects the proper gain structure for INPUT A. If a microphone is connected to INPUT A, use mic mode (up). If the signal source is anything other than a microphone (playback device, keyboard or mixer output, for instance) use the line selection (down).

### 8. POWER 'ON'.OFF switch, Power "ON" indicator LED and LIMIT indicator LED:

The bracketed LED to the left of the POWER switch illuminates when the power switch is in the 'ON' position. The LIMIT LED illuminates when the signal limiter is limiting the level of the signal to prevent distortion and overload.

### 9. POWER ON / OFF switch:

This switch turns the power on and off.

### 10. Output source "LOOP / MIX" switch:

In the "LOOP" mode, this switch routes the signal of INPUT B to the line level XLR OUTPUT jack, bypassing the EQ section and volume control. When in the MIX mode, this switch routes the combined (or "mixed") signals of both INPUT A and INPUT B to the line level XLR OUTPUT jack.

### 11. XLR / ¼" COMBO input jacks for INPUT A and INPUT B:

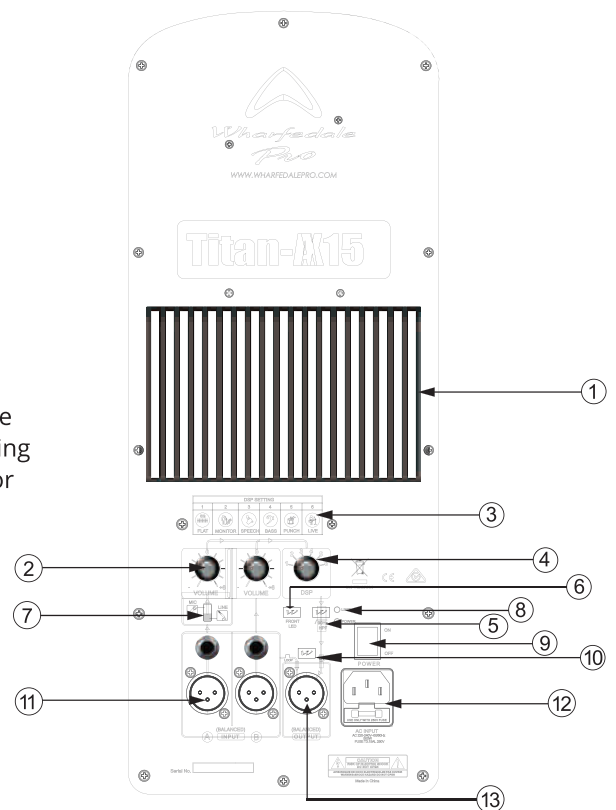
These convenient jacks allow XLR or ¼" balanced input connections to INPUT A and INPUT B

### 12. POWER cord receptacle:

This is a receptacle for a standard IEC, three prong, grounded AC electrical connection cord. Be sure that you are plugging into the correct source voltage that matches what is indicated just below the power cord jack.

### 13. XLR line level OUTPUT jack:

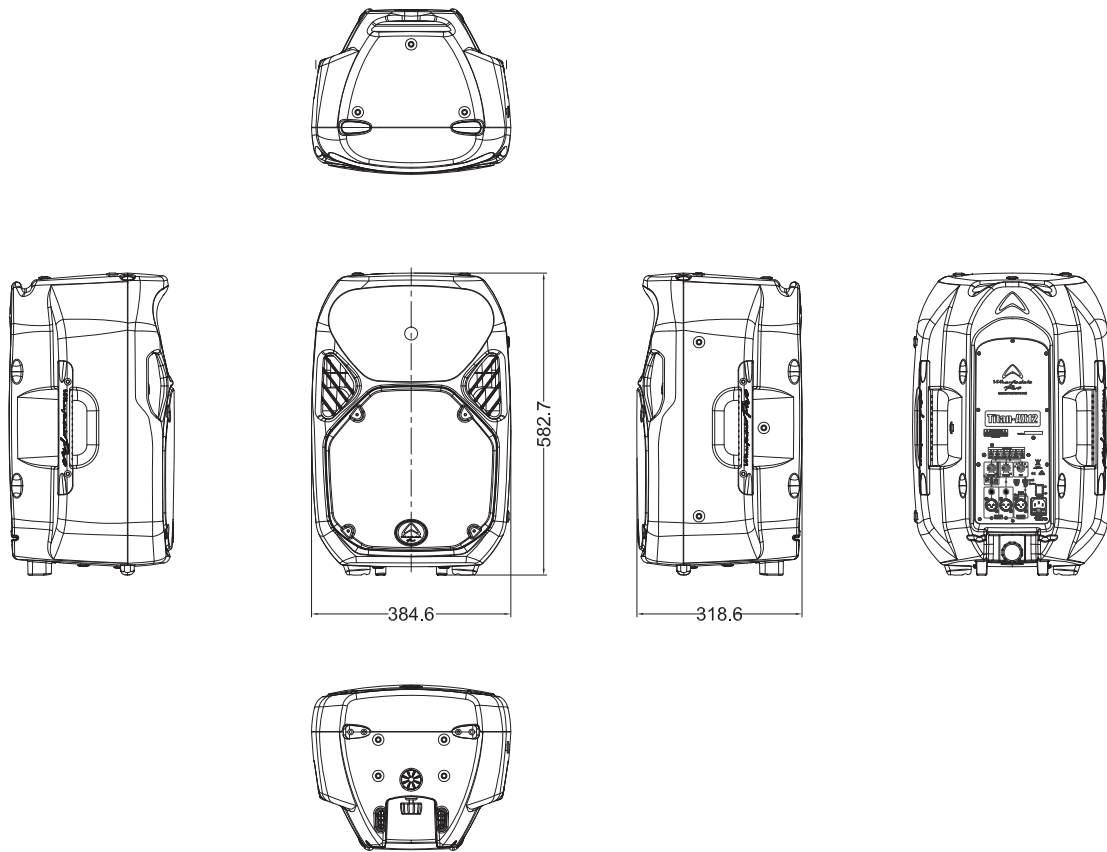
This jack provides a balanced line level output for connection to additional powered subwoofers or amplifiers.



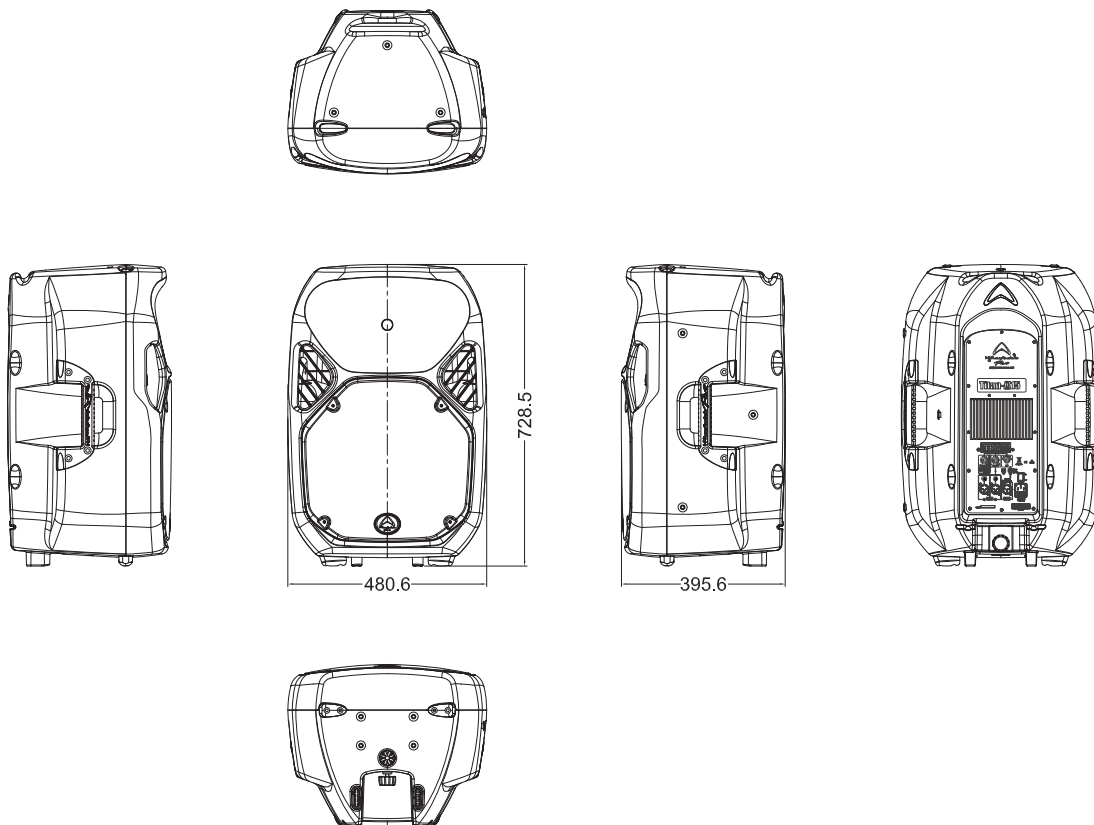
# SPECIFICATIONS

Model Name	TITAN-AX12	TITAN-AX15
System Type	Active 12" 2-way	Active 15" 2-way
Frequency Response (+/-3dB)	55Hz-18kHz	50Hz-18kHz
Frequency Range (- 10 dB)	50Hz-20kHz	40Hz-20kHz
Maximum SPL(peak)(@1m)	128dB	129dB
Sensitivity @ 1W / 1m)	98dB	98dB
<b>Low Frequency Transducer</b>		
Size (mm / inches)	305mm/12"	381mm/15"
Voice-Coil Size (mm / inches)	65mm /2.5"	75mm /3"
Rated Impedance	4Ω	4Ω
LF Power re: AES2-2012	250w	400w
<b>High Frequency Transducer</b>		
HF Driver Type:	Compression Driver	Compression Driver
Coil Size (mm / inches)	44mm/1.75"	44mm/1.75"
Exit Size (mm / inches)	25mm/1"	25mm/1"
Diaphragm Material	Titanium	Titanium
Rated Impedance	8Ω	8Ω
HF Power re: AES2-2012	40W	40W
Nominal Coverage (H x V)	"Hybrid Symmetry Horn 100°x80°"	"Hybrid Symmetry Horn 100°x80°"
Rated Impedance	8Ω	8Ω
<b>Amplifiers</b>		
Low-Frequency Power Amplifier -Class D, RMS/Peak Watts	150W/40hm	350W/40hm
High-Frequency Power Amplifier RMS(Class D)	50W/8ohm	50W/8ohm
Controls---D-EQ	1:FLAT 2:MONITOR 3:SPEECH 4:BASS 5:PUNCH 6:LIVE	1:FLAT 2:MONITOR 3:SPEECH 4:BASS 5:PUNCH 6:LIVE
Amplifier Protection	Yes	Yes
Power On Protection	Yes	Yes
Thermal Protection	Yes	Yes
Low Line Voltage Shut Down	Yes	Yes
<b>Driver Protection</b>		
DC Protection	Yes	Yes
Short Protection	Yes	Yes
Clip Limiter	Yes	Yes
Limiter Indicator	red LED	red LED
Power Indicator	Green LED	Green LED
<b>Inputs</b>		
Input A - type	Balanced	Balanced
Input Sensitivity	775mv	775mv
Maximum Input Level	4v	4v
Input Connector	2*XLR&6.3R( Line/MIC)	2*XLR&6.3R( Line/MIC)
Input Impedance	Balanced:20K	Balanced:20K
<b>Line Output</b>		
Line Output Connector	XLR	XLR
<b>Impedance Balanced</b>		
Loop Gain	0dB	0dB
<b>AC Power details</b>		
Power Supply	SMPS	SMPS
<b>AC Power Options</b>		
Power On Indicator	220-240V 50Hz	220-240V 50Hz
Rigging / Bracket / Mounting Options	10 M8 threaded inserts including 4 M8 threaded inserts on bottom in OmniMount 60.0-type footprint Pole-mount receptacle with lock screw Optional wall-mount bracket	10 M8 threaded inserts including 4 M8 threaded inserts on bottom in OmniMount 60.0-type footprint Pole-mount receptacle with lock screw Optional wall-mount bracket
Handles	2 carry handles (one on each side)	2 carry handles (one on each side)
<b>Enclosure</b>		
Enclosure Material and finish	Injection Moulded Polypropylene	Injection Moulded Polypropylene
Colour Options	Black/White paint	Black/White paint
Grille Material & Finish	steel	steel
<b>Dimensions - Unpacked (mm / inches):</b>		
Height	582.7mm/ 22.9in	728.5mm/28.7in
Width Front	384.6mm/15.1in	480.6mm/18.9in
Width Rear	384.6mm/15.1in	480.6mm/18.9in
Depth	318.6mm/12.5in	395.6mm/15.6in
<b>Dimensions - Packed (mm / inches):</b>		
Height	663mm/26.1in	830mm/32.7in
Width Front	435mm/17.1in	514mm/20.2in
Width Rear	435mm/17.1in	514mm/20.2in
Depth	408mm/16.1in	489mm/19.3in
Net Weight (kg / lbs)	12.4kg / 27.3lbs	22.6kg/49.7lbs
Gross Weight (kg / lbs)	15.4kg/33.9lbs	27.4kg/60.3lbs

# TITAN-AX12 TECHNICAL DRAWING



# TITAN-AX15 TECHNICAL DRAWING



### **WHARFEDALE PRO LIMITED WARRANTY**

Wharfedale Pro products are warranted of manufacturing or material defects for a period of one year from the original date of purchase. In the event of malfunction, contact your authorised Wharfedale Pro dealer or distributor for information.

Please be aware that the warranty details may differ from country to country. Contact your dealer or distributor for information (available at [www.wharfedalepro.com](http://www.wharfedalepro.com)). These terms do not infringe your statutory rights.



Wharfedale Professional  
IAG House 13/14 Glebe Road Huntingdon Cambridgeshire PE29 7DL UK  
[www.wharfedalepro.com](http://www.wharfedalepro.com)

Wharfedale Professional reserves the right to alter or improve specifications without notice.  
All rights reserved © 2017 Wharfedale Pro. Wharfedale Pro is a member of the IAG Group.