

EVENT LIGHTING

TSUNAMI-IP

Outdoor LED Tilt Moving Head

USER MANUAL



For safety, please read this user manual carefully before initial use.

Event Lighting reserves the right to revise the manual at any time. Information and specifications within this manual are subject to change without notice. Event Lighting assumes no liability or responsibility for any errors or omissions. Please consult Event Lighting for any clarification or information regarding this item.

Version: 1 (1 September 2022)

Safety Instructions

Warning

- Do not open this device, there is no user-serviceable parts inside. Risk of electric shock.
- Do not look at the light source when the device is on.

Caution: This unit's housing may be hot during and after operation.

- Install this device in a location with adequate ventilation, at least 50 cm from adjacent surfaces.
- Do not leave any flammable material within 50 cm of this unit while operating or connected to power.
- Use a safety chain when mounting this device overhead.
- This product is rated IP65, meaning it is protected against dust and water jets from all directions. Do not operate this device in any location where excessive heat or water beyond the IP65 specification may affect it.
- Do not operate this device if the housing, lenses, or cables appear damaged.
- Do not connect this device to a dimmer or rheostat.
- ONLY connect this device to a grounded and protected circuit.
- ONLY use the hanging bracket to carry this device.
- In case of a serious operating problem, stop using immediately.
- The maximum ambient temperature is 40° C. Do not operate this device at higher temperatures.

Power Input and Power Linking

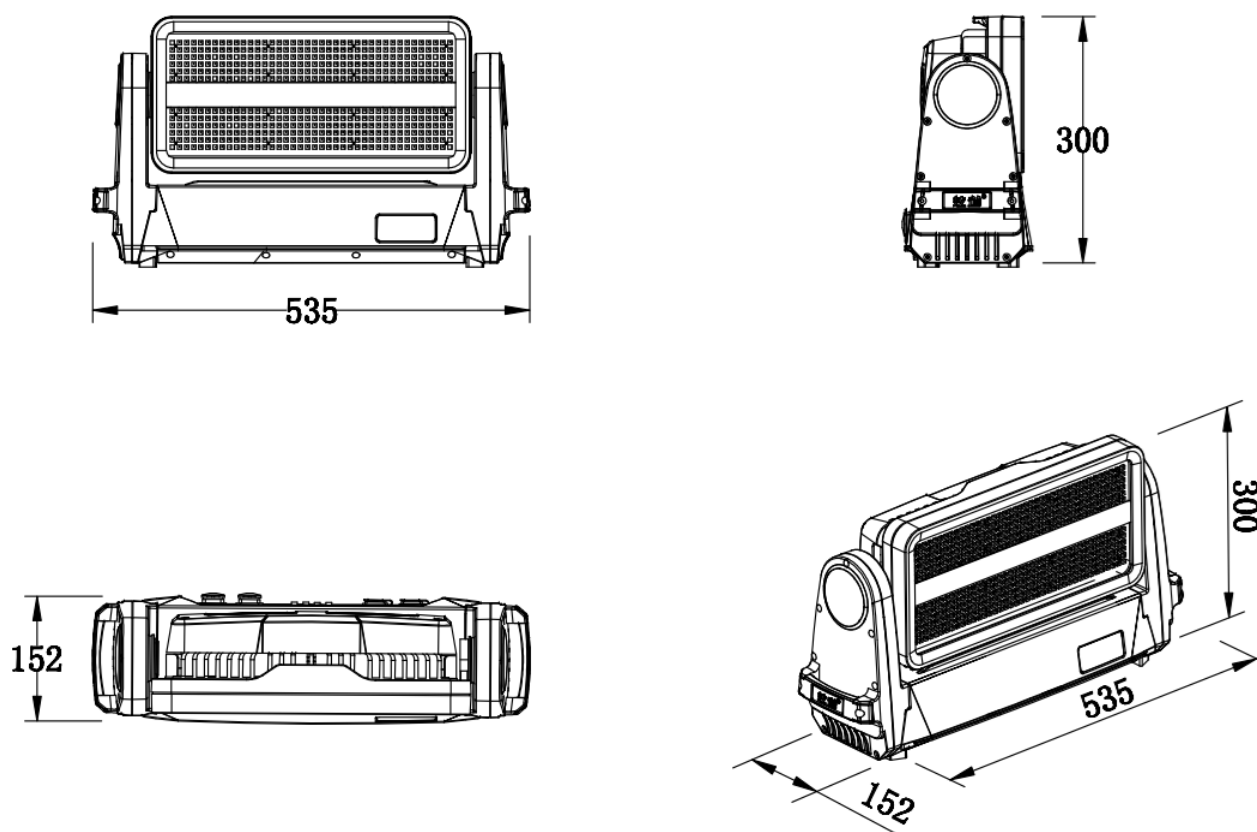
This device has an auto-switching power supply that works with input voltage range of 100~240 VAC, 50/60 Hz.

Link up to a maximum of 8A. Do NOT exceed this.

Product Installation

- This fixture can be mounted in many orientations provided each individual fixture is secured by the use of correct mounting bracket.
- Use a safety chain when mounting this device overhead.

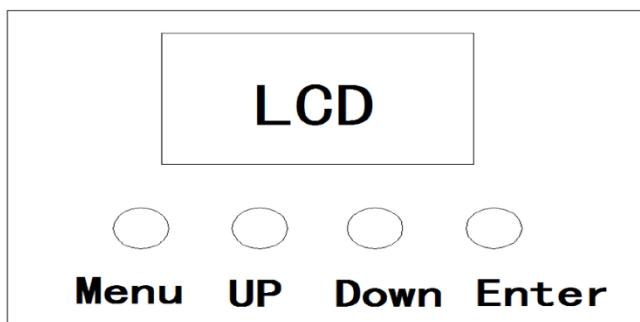
Dimensions



Lux Chart

Lux	@117°	
	5m	10m
R	49	12
G	91	23
B	23	6
W	1,650	393
RGB	158	39
Full	1,800	439

Menu Operation



Menu – Move up a level.

Up – Move selection up one item.

Down – Move selection down one item.

Enter – Select / Move down a level.

Menu

Level 1	Level 2	Description
DMX Address	001-512	Set DMX address
DMX Channel Mode	7 Channel Mode	7 channel DMX mode
	14 Channel Mode	14 channels DMX mode
	42 Channel Mode	42 channels DMX mode
Dimmer Mode	Dimmer Mode 1	
	Dimmer Mode 2	
	Dimmer Mode 3	
	Dimmer Mode 4	
	Dimmer Mode 5	
Dimmer Curve	Dimmer Curve 1	
	Dimmer Curve 2	
	Dimmer Curve 3	
	Dimmer Curve 4	
Manual Colour	Tilt	000-255
	Tilt Fine	000-255
	Aura Dimmer	000-255
	Aura Strobe	000-255
	Aura Red	000-255
	Aura Green	000-255
	Aura Blue	000-255
	Aura Macro	000-255
	Aura Macro Colour	000-255
	Aura Macro Speed	000-255
	White Dimmer	000-255
	White Strobe	000-255
	White Macro	000-255
White Macro Speed	000-255	
Language	English	

	Chinese	
Display	Normal	
	Reverse	Flip 180°
Backlight	On	Always on
	30s	Off after 30 seconds of inactivity
DMX Fail	Blackout	Blackout when DMX signal lost
	Hold	Keep last DMX value when DMX signal lost
Factory Settings	No	
	Yes	Reset to factory settings
System Info	RDM UID	
	Version	Software Version
	DMX Channel	Current DMX channel mode
	Run time	Total usage time
	User time	Time since power on
	Temperature	Current temperature

DMX Chart

This fixture is controlled by the universal DMX 512 protocol. The DMX address is the first channel used to receive instructions from the external controller. For independent control, each fixture must be assigned a unique address for each of its control channels. For example, this device has three channel modes: 7/14/42, if it's set to 7 channel mode, and there are several fixtures need to be independently controlled, we just simply address first fixture at 1, and second fixture at 8, third one at 15, etc.

- If multiple fixtures have the same DMX address, they will behave synchronically.
- Display will flash when no DMX signal is received.

Mode/Channel			Function	Min DMX	Max DMX	Description
7 Ch	14 Ch	42 Ch				
1	1	1	Tilt	0	255	Tilt Movement
	2	2	Tilt Fine	0	255	Tilt Fine Movement
2	3	3	Beam Dimmer	0	255	Strobe Dimmer, 0-100%
3	4	4	Beam Mode	0	5	No Strobe
				6	42	Strobe Mode 1
				43	85	Strobe Mode 2
				86	128	Strobe Mode 3
				129	171	Strobe Mode 4
				172	214	Strobe Mode 5
			215	255	Strobe Mode 6	

	5	5	Beam Duration	0	255	0-3 sec
	6	6	Beam Macro	0	15	No Macro
				16	57	Strobe Macro 1
				58	99	Strobe Macro 2
				100	141	Strobe Macro 3
				142	183	Strobe Macro 4
				184	225	Strobe Macro 5
				226	255	Strobe Macro 6
4	7	7	Plate Red	0	255	Red Dimmer, 0-100%
5	8	8	Plate Green	0	255	Green Dimmer, 0-100%
6	9	9	Plate Blue	0	255	Blue Dimmer, 0-100%
7	10	10	Plate Strobe	0	9	No Strobe
				10	255	Strobe, slow to fast
	11	11	Plate Macro	0	4	No Macro
				5	9	Plate Macro 1
				10	14	Plate Macro 2
				15	19	Plate Macro 3
			
				250	254	Plate Macro 50
				255	255	Plate Macro 51
	12	12	Plate Macro colour	0	255	Plate Macro colour
	13	13	Plate Macro Speed	0	255	Plate Macro Speed
	14	14	Reserved	0	255	Reserved
		15	Beam Section 1	0	255	Beam Section 1 dimmer, 0-100%
		16	Beam Section 2	0	255	Beam Section 2 dimmer, 0-100%
		17	Beam Section 3	0	255	Beam Section 3 dimmer, 0-100%
		18	Beam Section 4	0	255	Beam Section 4 dimmer, 0-100%
		19	Plate Section 1 Red	0	255	Plate Section 1 Red dimmer, 0-100%
		20	Plate Section 1 Green	0	255	Plate Section 1 Green dimmer, 0-100%
		21	Plate Section 1 Blue	0	255	Plate Section 1 Blue dimmer, 0-100%
	
		40	Plate Section 8 Red	0	255	Plate Section 8 Red dimmer, 0-100%
		41	Plate Section 8 Green	0	255	Plate Section 8 Green dimmer, 0-100%
		42	Plate Section 8 Blue	0	255	Plate Section 8 Blue dimmer, 0-100%

Technical Specifications

Photometrics

- Light Source:
 - RGB: 480x SMD5050 0.5W 3-in-1 LEDs
 - Strobe: 144x 5W White LEDs
- Beam Angle: 117°
- Output: 1,800 lux @ 5m
- LED Lifespan: 50,000 hours

Effects

- Dimming: 0~100%
- Strobe: 0.3-20 Hz

Movement

- 8 / 16 – bit movement
- Tilt: 270°

Power

- Input Voltage: 100~240V AC, 50/60 Hz
- Power Consumption: 1,000 W
- Connection: True1 in/out

Control

- Protocol: DMX512
- Operation Modes: DMX, auto, manual, sound active, master/slave
- DMX Channels: 7/14/42
- Interface: 3-pin XLR in & out
- Display: 4-button 2.4-inch LCD control panel
- Cooling: Fan

Housing

- Materials: Metal & Flame retardant ABS
- Finishing: Matte black
- IP rating: IP65
- Net Weight: 12 kg

Warranty

Please refer to your local dealer or please contact Event Lighting Pty Ltd.